



# Agri-PV Solutions of DMEGC Solar

DMEGC Solar

[www.dmegcsolar.com](http://www.dmegcsolar.com)



# Contents

---

## **1** *Why Agri-PV*

## **2** *Our Solutions*

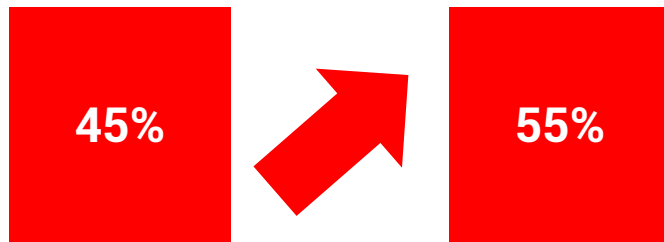
- *PV Roof*
- *Transparent Modules*
- *Standard Modules*

## **3** *Our References*

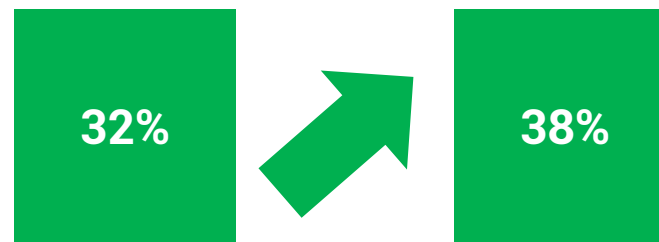


# Why Agri-PV?

## The EU's 2030 GHG Emission Reduction Target



## The EU's 2030 Renewable Target



## The EU's Annual New Solar Install capacity (2020-2030)



- As the most cost-efficient and green energy source, solar energy is primed to play a prominent role in achieve above objectives, it also demands more lands for the solar power generation.
- **Agriculture is the second largest contributor to GHG emissions in the EU.** The European Commission proposed a revision of the Common Agricultural Policy (“CAP”), and has the ambition to modernize its agricultural policy, in line with its climate ambition.
- Agri-PV can realize the dual use of arable land, and offers an innovative, efficient, cost effective solution to simultaneously promote sustainable agriculture and the clean energy transition.



## Core advantages of Agri-PV



### Save resource, enhance weather independency

- reduce irrigation by up to 20 percent
- reduction in wind erosion and soil degradation
- optimizing light availability for arable crops
- protect and shade agricultural activities from unexpected and extreme weather events
- the deployment of Agri-PV can increase farm income by over 30%

### More feasible and sustainable

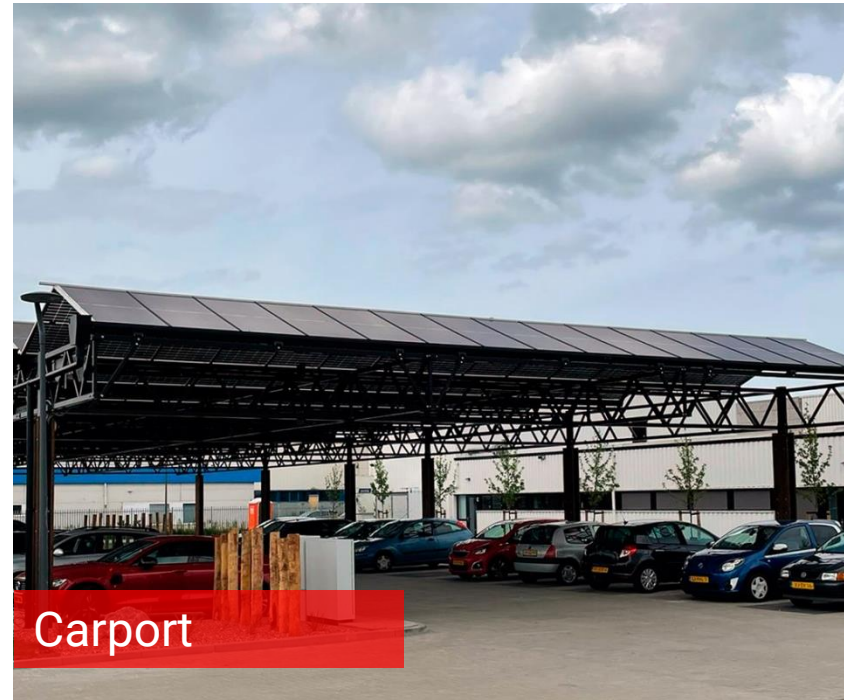
- Construction on agricultural field does not consume land and will not change properties of the land, permission and subsidies of government is easier
- PV power generation can meet the daily electricity demand of farming activity, reduce electricity bills, the rest of electricity also can be sold.



## Our solutions – PV Roof integrated application



Greenhouse




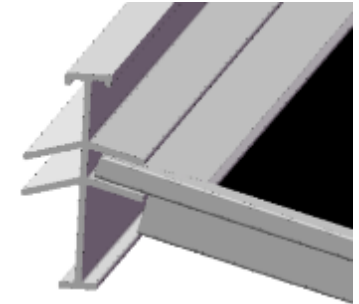
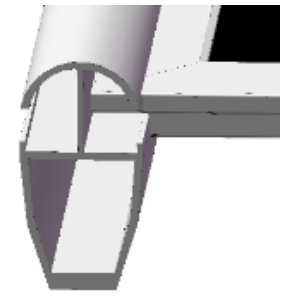
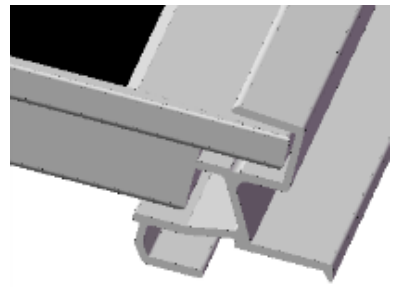

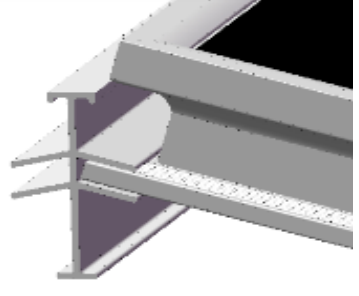
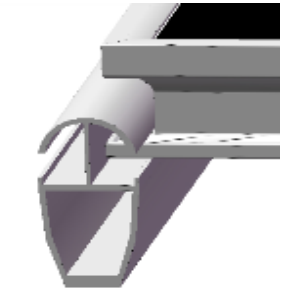
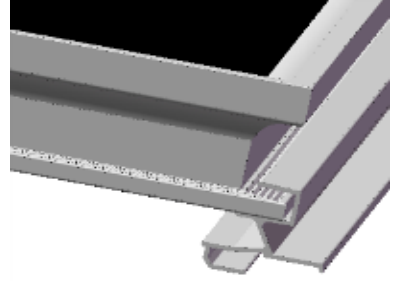
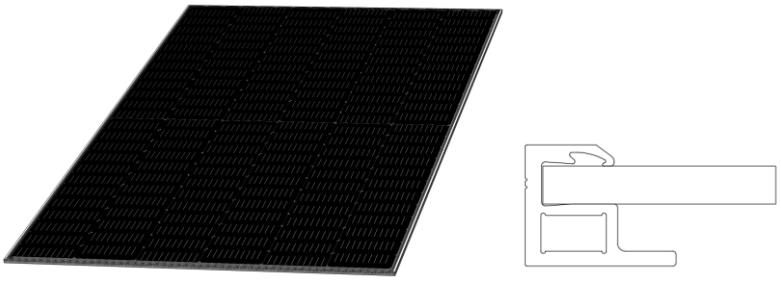
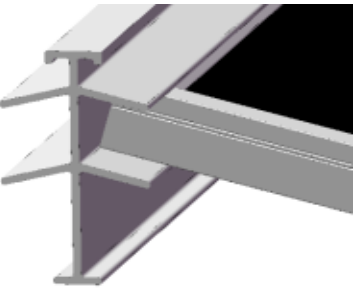
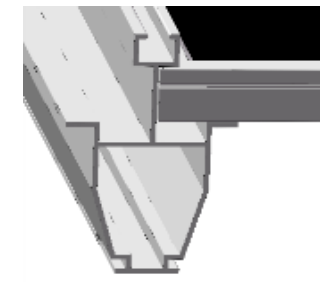
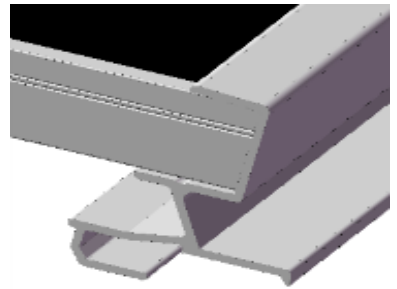
Carport



Warehouse

- Combining in deeply with the building constructions, DMEGC Solar has successful launched the new **Y-framed, ECG-framed and 16mm-framed** solar modules for PV Roof integrated applications.
- The innovation PV roof modules can be used in agricultural Greenhouse, Warehouse, Carport and etc., reduce the weight of constructions and the constructions process are relatively simple and thus cost efficient.

# Our solutions – PV Roof integrated application

Frame	Product	Match ridge	Match roof bar	Match gutter
Y framed				
ECG framed				
16mm framed				

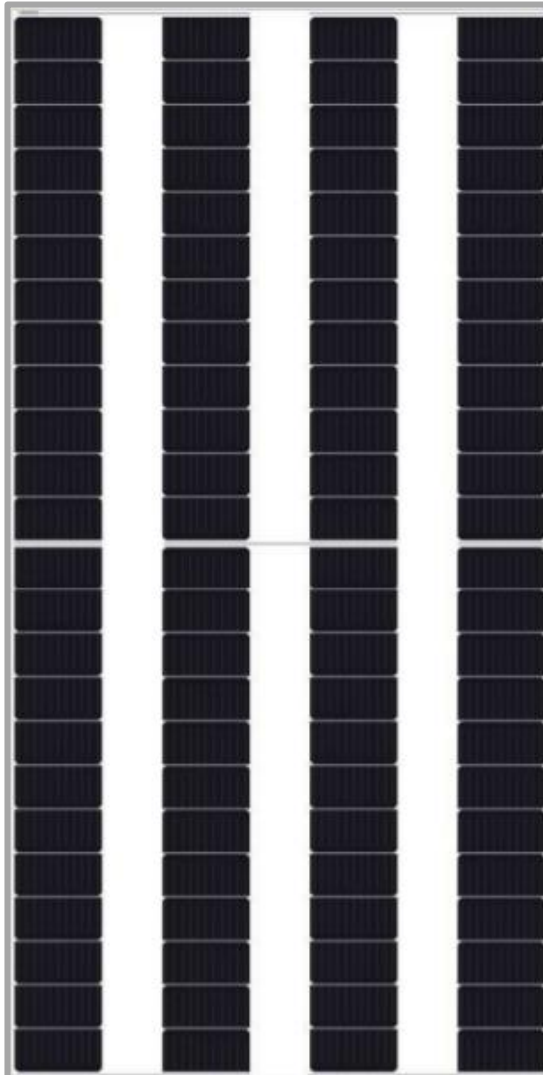
## Promoting modules

Model Type	Frame	Typical power	LxWxH (mm)	Transp.	Weight
GH380M6-B60HSW-C	Y	380W	1776*1059*12	/	22
GH375M6-B60HST-C		375W	1776*1059*12	~6%	22
GH460M6-B72HSW-C		460W	2115*1059*12	/	27
GH380M6-B60HSW-C	ECG	380W	1756*1039*30	/	23
GH375M6-B60HST-C		375W	1756*1039*30	~4%	23
GH460M6-B72HSW-C		460W	2095*1039*30	/	28
GH550M10-B72HSW-C		550W	2278*1134*30	/	33
GH540M10-B72HST-C		540W	2278*1134*30	~33%	33

\* Check with DMEGC for the possible power at purchase.



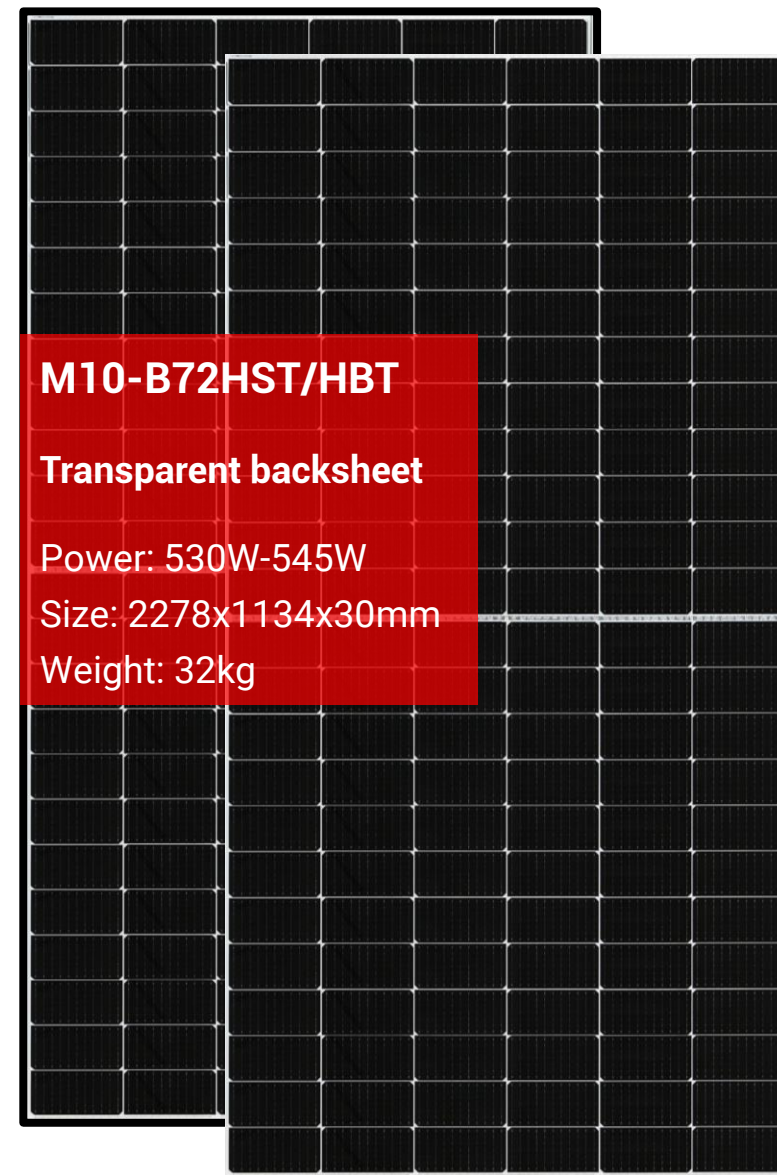
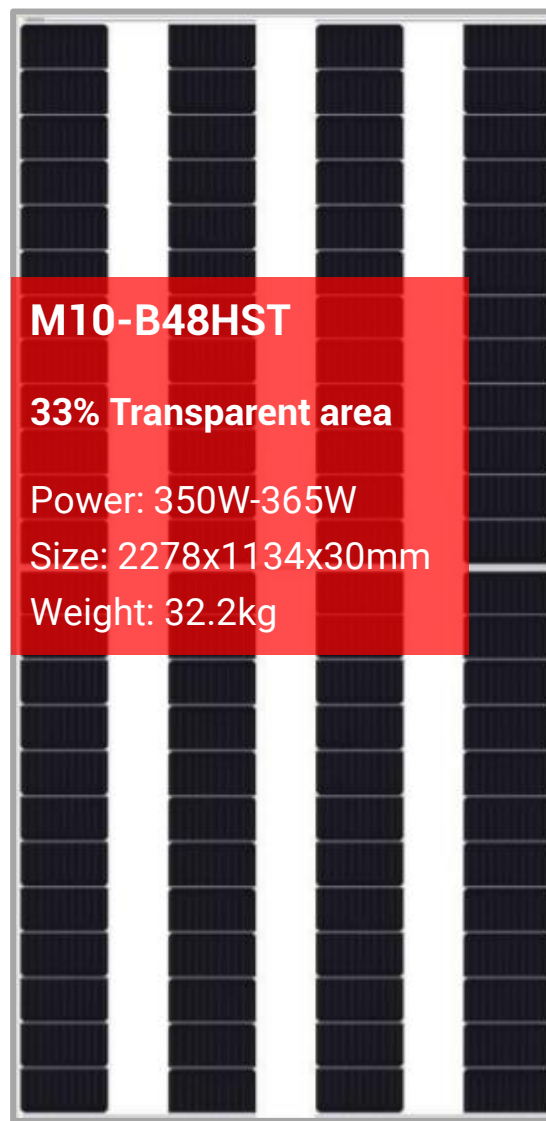
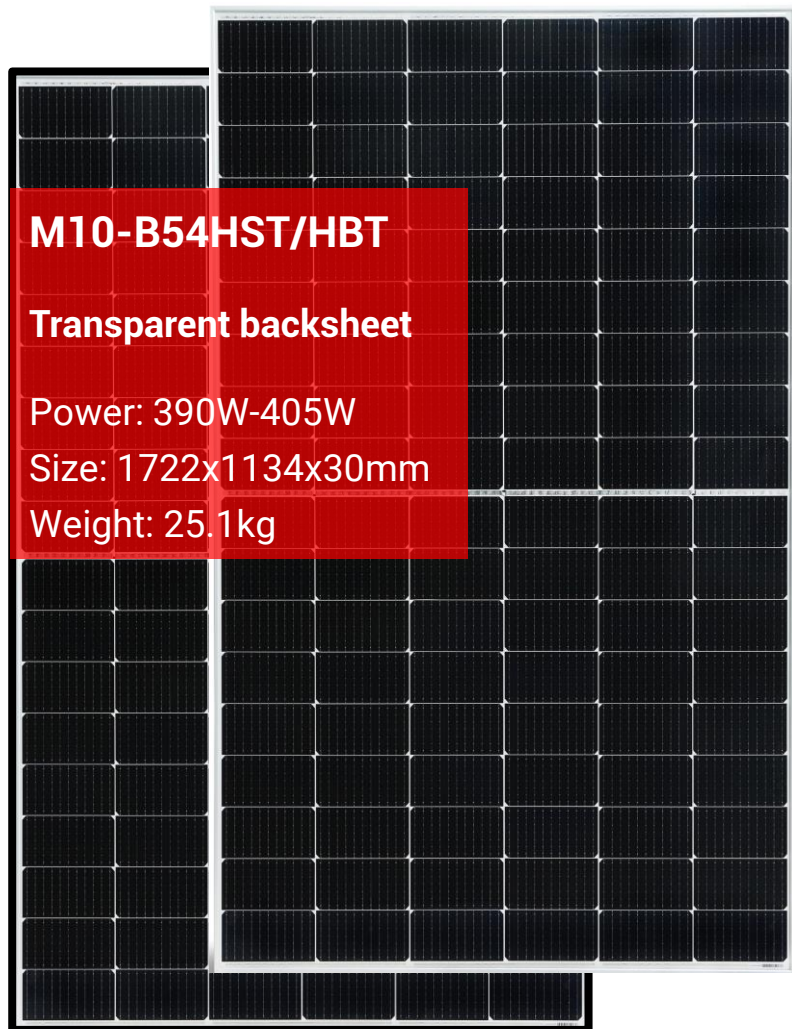
## Our solutions – Transparent modules



- DMEGC Solar's **Transparent modules** combine two usage modes, one that enables the system to generate energy and another to 'leak' the light. In this way, the solar modules act like a 'smart' shade adjusting the amount of light they let through.
- By both boosting photosynthesis and undermining excessive heat, the modules can increase the yields and quality of agricultural products, while recovering the rest of the light in the form of electricity.
- The modules also applied the industry-leading technologies such as P-Perc, Half-cut, Bifacial, MBB, provide excellent performance and reliability



## Promoting modules





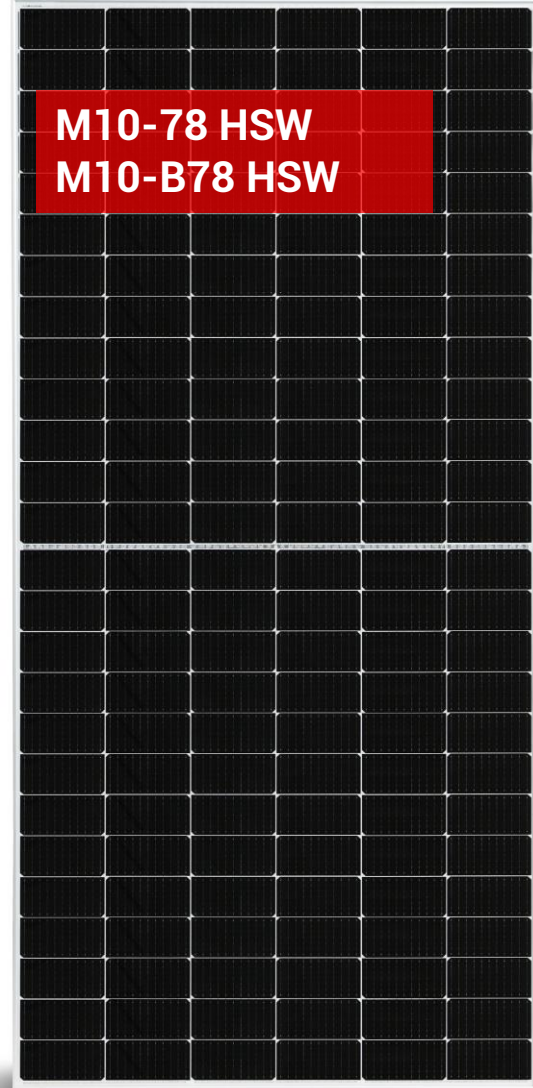
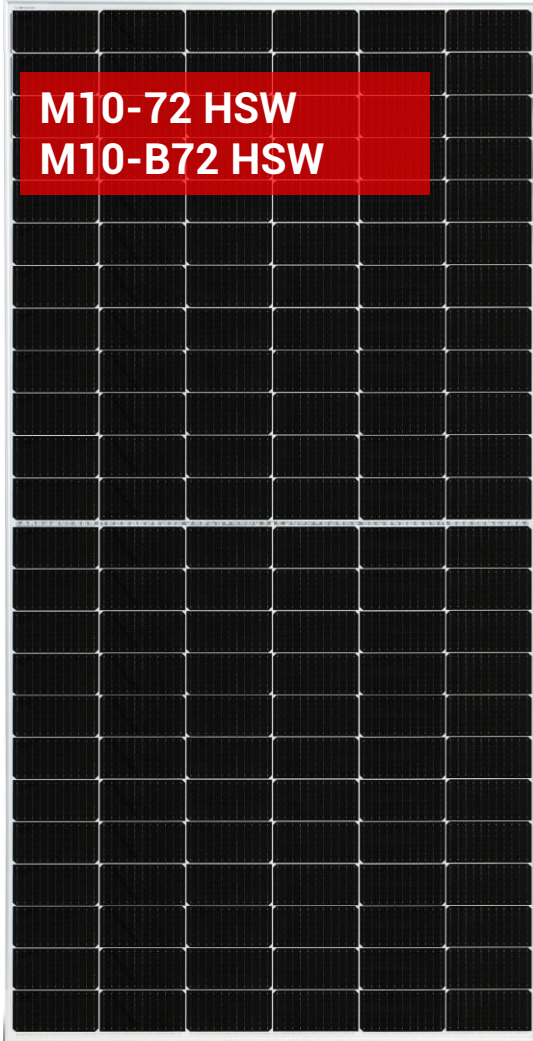
## Our solutions – Standard Modules



- DMEGC Solar standard modules applied the industry-leading technologies such as P-PERC, Half-cut, Bifacial, MBB, provide excellent power generation performance and high reliability, fully compatible with mainstream mounting systems and inverters.
- The Bifacial module with Dual glass of DMEGC Solar provides a 15 year product warranty and a 30 year power warranty, providing a highly reliable guarantee for agricultural PV plants owners and investors.
- DMEGC Solar standard modules comprehensively optimize the different key indicators in the entire life cycle of the power plant to provide the best electricity costs for the agricultural PV plants.



# Promoting modules



Mono-facial Modules		
Module type	M10-72HSW	M10-78HSW
Power Range	540Wp-555Wp	585Wp-600Wp
Size	2278x1134x35mm	2465x1134x35mm
Weight	29Kg	31Kg
Bifacial Modules		
Module type	M10-B72HSW	M10-B78HSW
Power Range	535Wp-550Wp	580Wp-595Wp
Size	2278x1134x30mm	2465x1134x30mm
Weight	32.2Kg	35.1Kg

## Our References – Greenhouse

**Address** Berltsum the Netherlands

**Project Type** Greenhouse

**Capacity** 5,482,750Wp

**Module** GH455M6-72HSW-C

- . Peak ventilation structure promote electricity yield;
- . Phase II 7,436,520Wp launched (COD at April 2023).





## Our References – Warehouse

**Address** Hazerswoude-Dorp the Netherlands

**Project Type** Warehouse

**Capacity** 544,000Wp

**Module** GH400G1-60SW-C





## Our References – Carport

**Address** Middelburg, the Netherlands

**Project Type** Carport

**Capacity** 132,000Wp

**Module** GH405M6-B66HBT-C



**Agilent Technologies**





## Our References – Agriculture + PV plant

**Address** Lishui, Zhejiang province, China

**Project Type** Grand PV plant + Agriculture

**Capacity** 25,000,000Wp

**Module** DM335-M156-72





## Our References – Agriculture + PV plant

**Address** Yunhe, Zhejiang province, China

**Project Type** Mountain PV plant + Tea Plantation

**Capacity** 8,000,000Wp

**Module** DM335-M156-72





**Thanks !**